

## KE Sink Gold 30" x 18" – F/M



Kitchen Sinks

Code: 2157 069

PVD Gold  
AISI 304 Stainless steel  
Foster brushed  
Flush-mount



### DETAILS

|                        |                          |
|------------------------|--------------------------|
| Series                 | KE                       |
| Coloring               | Gold                     |
| Finish                 | PVD                      |
| Material               | AISI 304 stainless steel |
| Texture                | Foster brushed           |
| Edge/Installation Type | Flush-mount   Top-mount  |
| Thickness              | 18 Gauge (1.2 mm)        |
| Overall dimensions     | 29 1/2" x 17 5/16"       |

Bowl dimension 1 bowl 27<sup>15/16"</sup> x 15<sup>3/4"</sup>

---

Bowls depth 8"

---

Flush-mount cut-out See cut-out drawing

---

Overmount cut-out 29" x 16<sup>1/2"</sup>

---

Waste fitting type 3<sup>1/2"</sup> - with stainless steel basket

---

Underside Protected with heavy duty undercoating

---

## FEATURES

**GOLD** The Gold finish is obtained by treating the steel with a physical process called PVD (Physical Vacuum Deposition) which deposits particles of noble metals on the surface. The result is a unique and refined aesthetic effect, and an improvement in the mechanical properties of the steel that is more resistant to shocks and scratches.

---

**Basket 3,5" waste fitting** The drain is equipped with a large 3.5" drain, with the practical basket cap that prevents the discharge of solid parts.

---

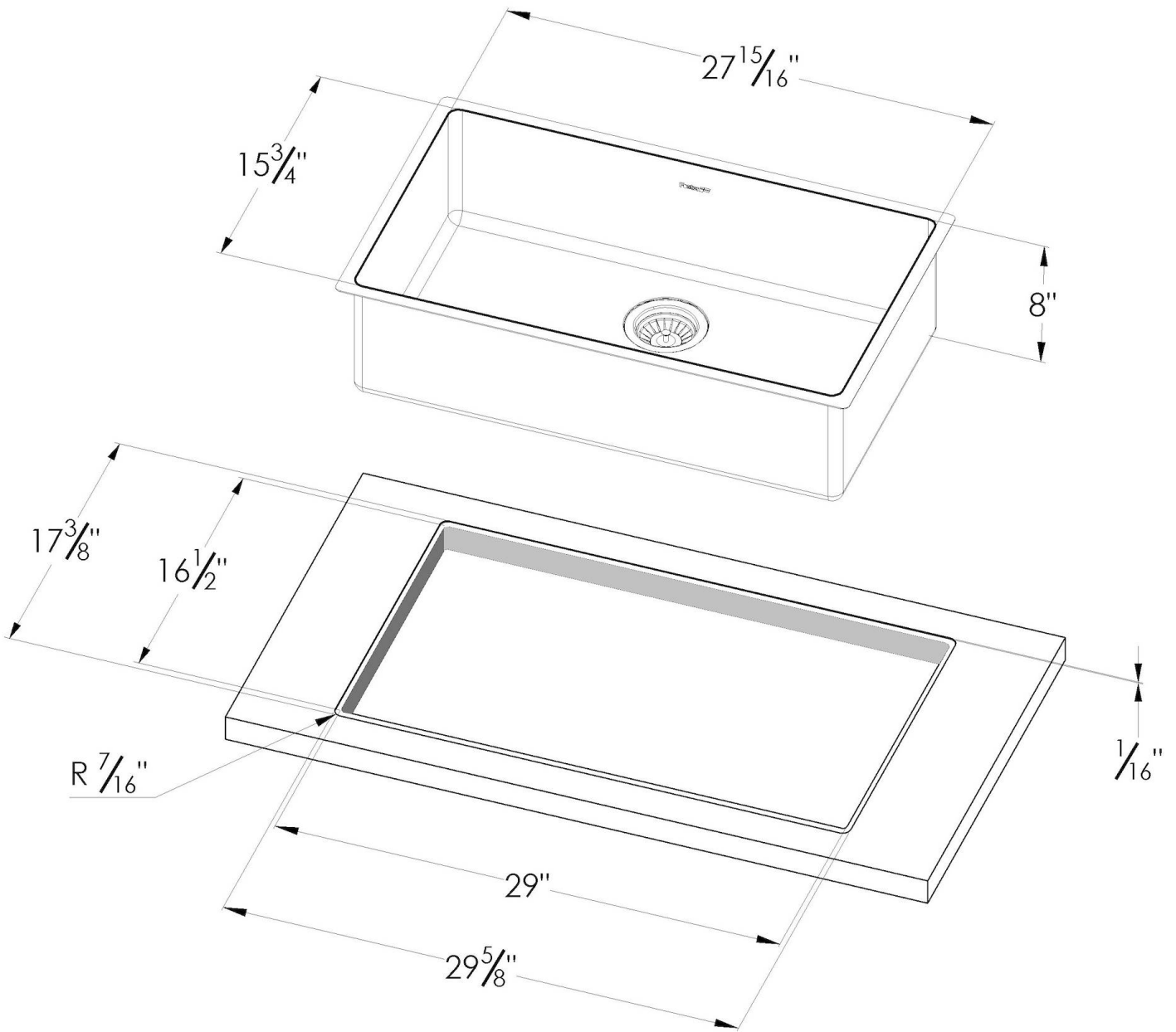
**High thickness 1.2** 1.2 mm thick steel. A significant thickness, which guarantees the maximum sturdiness and durability.

---

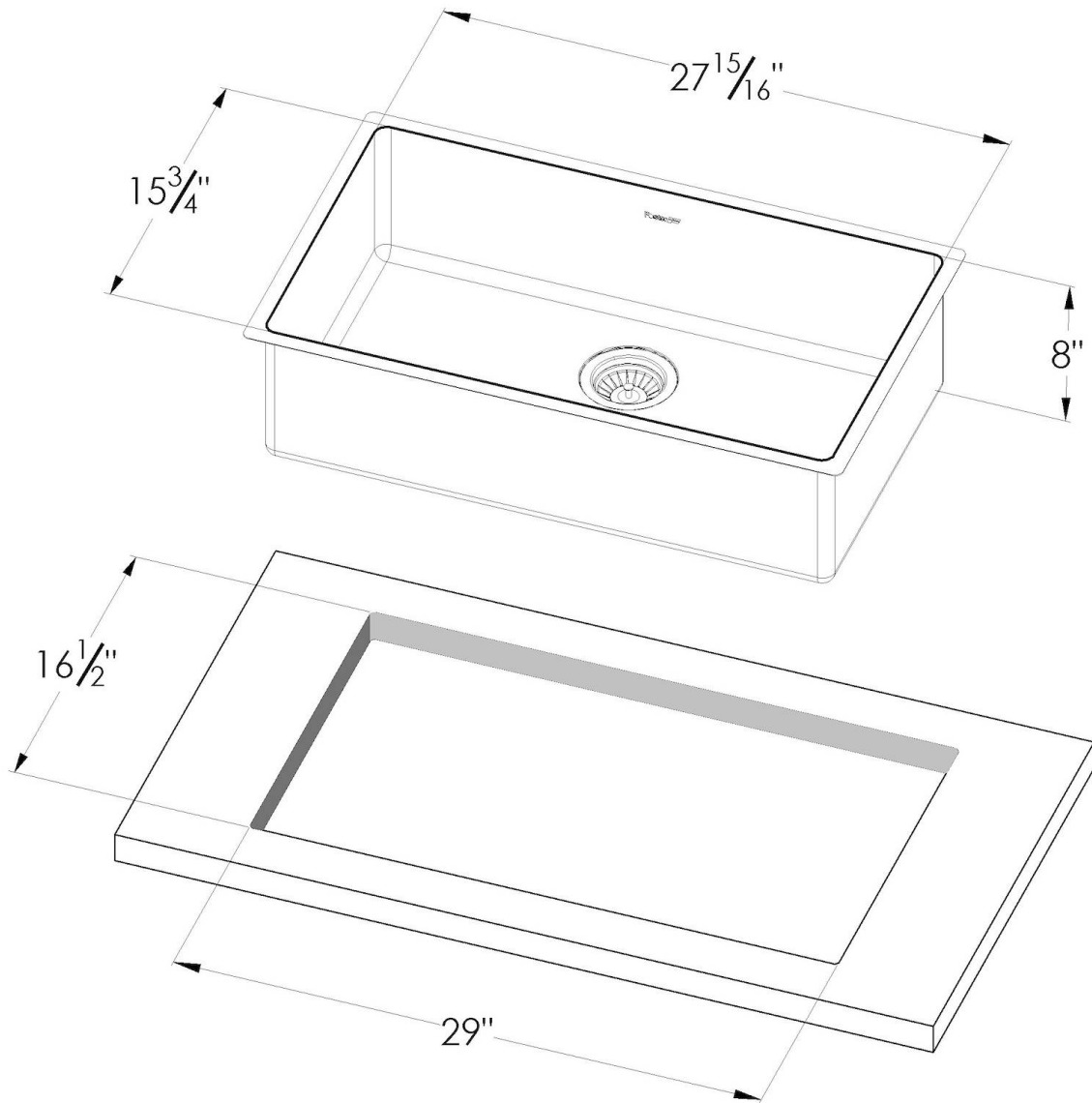
**Small radius** Bowls with squared shapes with a modern design and an increased capacity, for a minimal aesthetics connected with an extreme practicality.

---

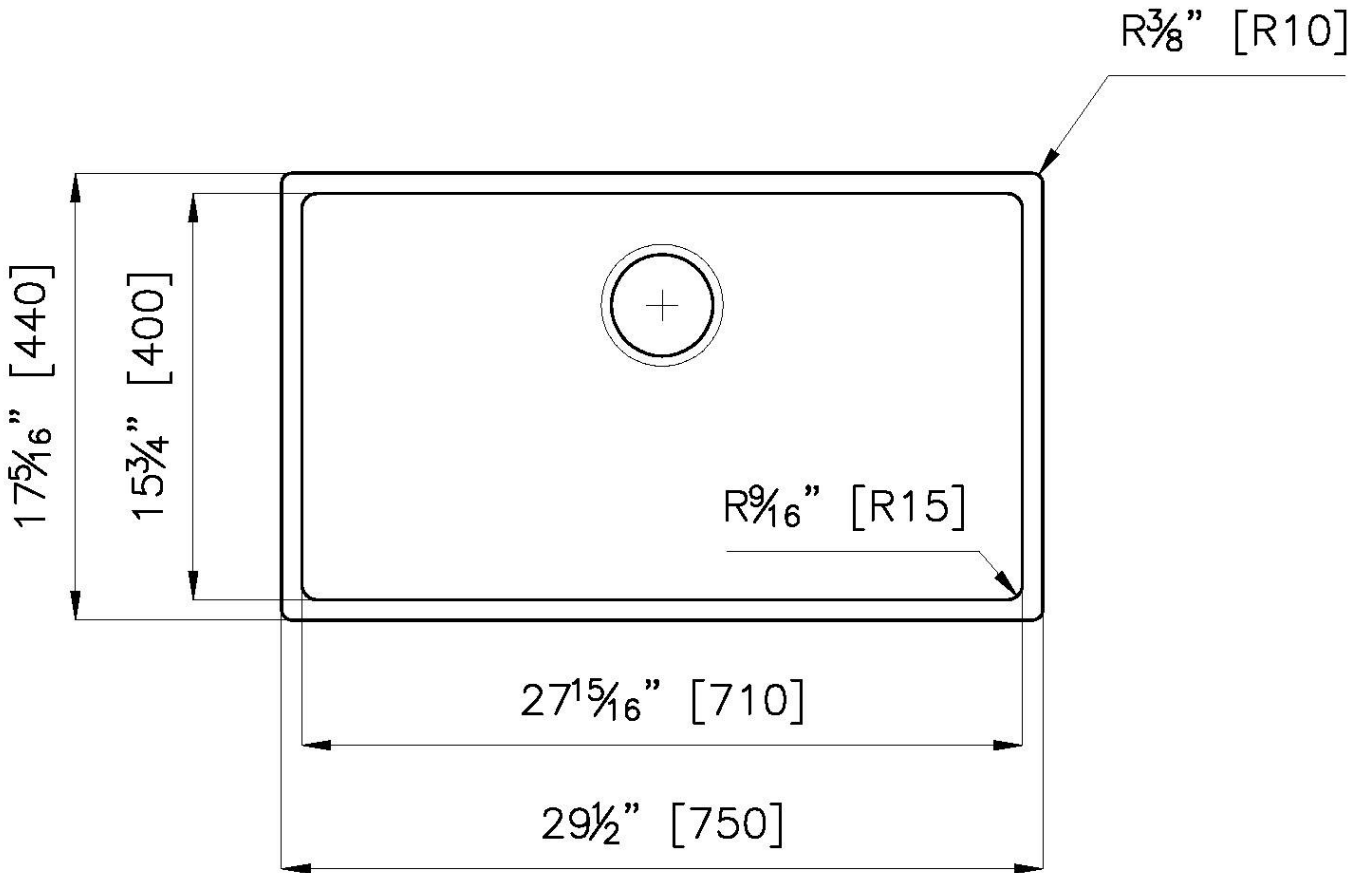
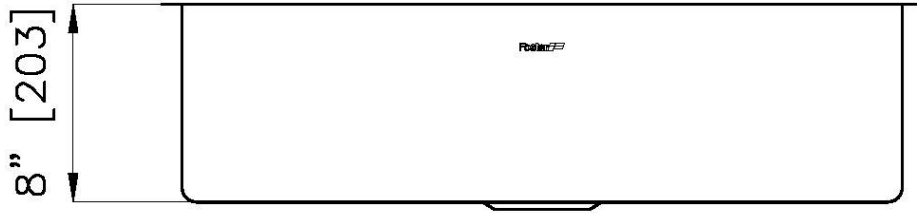
## TECHNICAL DATA



Flush-mount installation - FT



Installation on top of worktop - SPT



## OPTIONAL ACCESSORIES



**Chopping Board**  
8631 300



**Grating kit complete with ring support and food collection tray**  
8159 101  
\* only in combination with the accessory  
8644 101



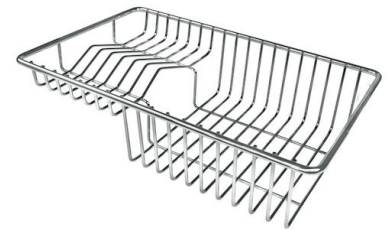
**HPDE Chopping board**  
8657 001



**HPDE Chopping board GREY**  
8657 002



**Iroko-wood sliding chopping board with stainless steel colander**  
8644 044



**Stainless Steel dishes holder**  
8100 303  
\* only in combination with the accessory  
8644 101



**Stainless steel perforated pan**  
8151 000  
\* only in combination with the accessory  
8644 101



**Twin Chopping Board**  
8644 101



**Waste disposer throat**  
8669 043

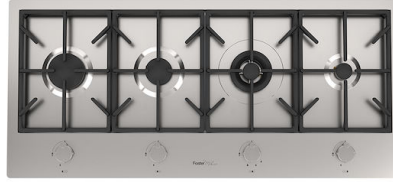


**White bowl**  
8153 100

## RECOMMENDED PAIRINGS



**Faucet Ponza**  
8497 025



**Milano Cooktop 4 burners inLine**  
7640 900